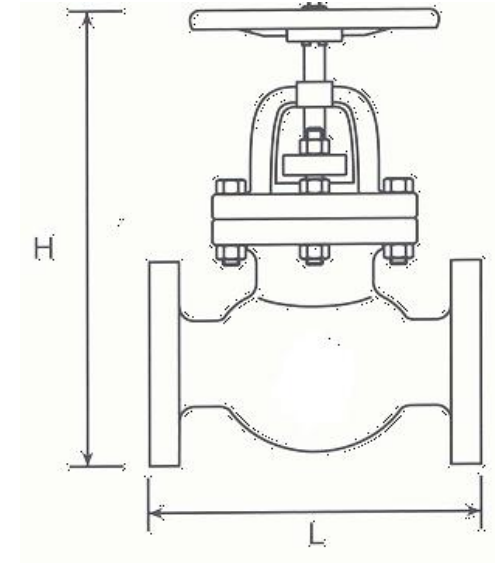


# GLOBE VALVES

*Cast Iron – General Purpose*



- Flanged AS2129 Table F (Undrilled)
- Stainless Steel Trim
- Stainless Steel Spindle
- Max. Working Pressure 2100 kPa
- Designed and manufactured to BS5152



## Materials

Body/ Bonnet	Cast Iron
Stem	Stainless Steel 410
Disc Ring	13% Cr Stainless Steel
Seat Ring	13% Cr Stainless Steel
Gland Packing	Graphite

Size (DN)	50	65	80	100	125	150	200	250	300
L	203	216	241	292	330	356	495	622	698
H	330	356	384	422	491	540	637	756	863
Weight (kg)	15	19	26	42	68	103	136	263	295

[www.repipe.com.au](http://www.repipe.com.au)  
[sales@repipe.com.au](mailto:sales@repipe.com.au)