

REPIPE

Pipe, Connections & Valves

"Connecting Australia"

CAST IRON GATE VALVE
(NON-RISING STEM)

ISO 9001 CERTIFIED COMPANY

SCI CAST IRON CLASS 14 GATE VALVE (NON-RISING STEM)

FEATURES

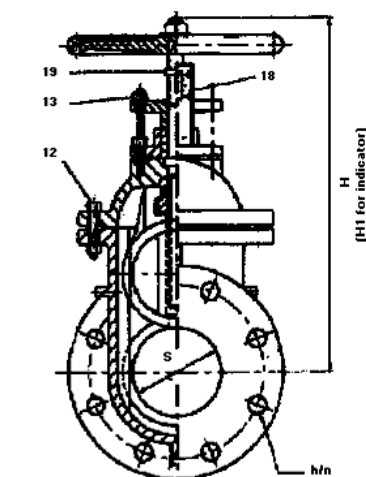
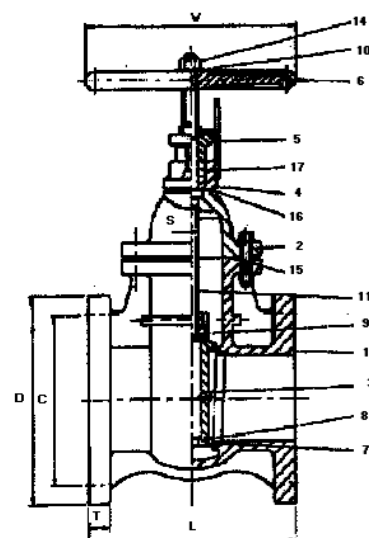
- AS 3579
- Class 14

TECHNICAL DATA

- Code: VG3579-NRS-E(size DN)
- Size Range: DN50 – DN300

DIMENSIONS

Size (DN)	L	Flanged AS 2129 Table E					S	H	H1	W
		D	C	h	n	T				
50	178	152	18	18	4	15.9	18	250	275	180
65	190	178	22	18	4	17.5	22	285	315	180
80	203	191	22	18	4	19.1	22	313	343	200
100	229	229	22	18	4	23.8	22	357	405	224
125	254	254	22	18	8	23.8	22	412	468	250
150	267	279	29	18	8	25.4	29	473	537	250
200	292	243	32	18	8	28.6	32	581	638	280
250	330	406	35	22	8	30.2	35	679	734	315
300	356	483	38	22	12	31.8	38	786	849	355



MATERIALS

NO.	PARTS	MATERIAL	SPECIFICATION	QTY.
1	Body	Cast Iron	AS1830 Grade T220	1
2	Bonnet	Cast Iron	AS1830 Grade T220	1
3	Disc	Cast Iron	AS1830 Grade T220	1
4	Packing box	Cast Iron	AS1830 Grade T220	1
5	Gland	Cast Iron	AS1830 Grade T220	1
6	Hand Wheel	Cast Iron	AS1830 Grade T220	1
7	Body Seat Ring	Gun Metal	AS1565 Alloy C83600	2
8	Disc Seat Ring	Gun Metal	AS1565 Alloy C83600	2
9	Stem Nut	Gun Metal	AS1565 Alloy C83600	1
10	Hand Wheel Washer	DZR Brass	AS1368 Alloy 486	1
11	Stem	Arsenical Brass	AS1830 Alloy 486	1
12	Bonnet Bolt & Nut	Steel	AS1111	1 set
13	Gland Stud & Nut	Steel	AS1111	2
14	Hand Wheel Nut	Galvanised Steel	AS1111	1
15	Bonnet Gasket	Reinforced Rubber	BS5292	1
16	Packing Box Gasket	Reinforced Rubber	BS5292	1
17	Packing	Non Asbestos		1
18	Indicator Plate	Aluminium	If required	1
19	Needle	Aluminium	If required	1
20	Packing Box	Steel	AS1111	1 set

SYDNEY- NEWCASTLE – PERTH – 1300 362 954 – sales@repipe.com.au

Distributors of Quality Products Australia Wide