

REPIPE

Pipe, Connections & Valves

"Connecting Australia"

CAST IRON GATE VALVE
(NON-RISING STEM)

ISO 9001 CERTIFIED COMPANY

SCI CAST IRON CLASS 21 GATE VALVE (NON-RISING STEM)

FEATURES

- AS 3579
- Class 21

TECHNICAL DATA

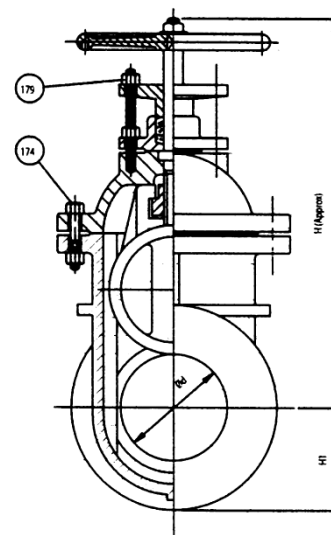
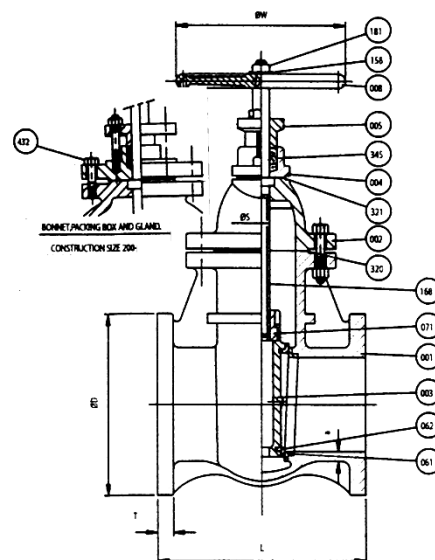
- Code: VG3579-NRS-F(size DN)
- Size Range: DN50 – DN300
- Test Pressure: Hydro Shell – 3150 kPa
Hydro Valve Sheet – 2100 kPa

DIMENSIONS

Size (DN)	L	Flanged Dimensions Follow AS2129 T-F				Stem Dia	Height	Hand wheel
		D	C	h	n			
50	178	165	18	Dependent on flange drilling	19	18	250	180
65	190	185	22		19	22	285	180
80	203	205	22		19	22	313	200
100	229	230	22		22	22	357	224
125	254	280	22		25	22	412	250
150	267	305	29		25	29	473	250
200	292	370	32		29	32	581	280
250	330	430	35		29	35	679	315
300	356	490	38		32	38	786	355

MATERIALS

NO.	PARTS	MATERIAL	SPECIFICATION	QTY
001	Body	Ductile Iron	AS 1831 Grade 500-7	1
002	Bonnet	Ductile Iron	AS 1831 Grade 500-7	1
003	Disc	Ductile Iron	AS 1831 Grade 500-7	1
004	Packing Box	Ductile Iron	AS 1831 Grade 500-7	1
005	Gland	Ductile Iron	AS 1831 Grade 500-7	1
008	Hand Wheel	Cast Iron	AS1830 Grade T220	1
061	Body Seat Ring	Gun Metal	AS1565 Alloy C83600	2
062	Disc Seat Ring	Gun Metal	AS1565 Alloy C83600	2
071	Stem Nut	Gun Metal	AS1565 Alloy C83600	1
158	Hand Wheel Washer	Galvanised Steel		1
168	Stem	Stainless Steel	2837 Grade 316	1
174	Bonnet Bolt & Nut	HDG Steel	AS1111	1 set
179	Gland Stud & Nut	HDG Steel	AS1111	2
181	Hand Wheel Nut	Galvanised Steel	AS1111	1
320	Bonnet Gasket	Reinforced Rubber	BS5292	1
321	Packing Box Gasket	Reinforced Rubber	BS5292	1
345	Packing	PTFE		1
432	Packing Box Bolt	Galvanised Steel	AS1111	1 set



SYDNEY- NEWCASTLE – PERTH – 1300 362 954 – sales@repipe

Distributors of Quality Products Australia Wide