

# REPIPE

Pipe, Connections & Valves

*"Connecting Australia"*

## CAST IRON GATE VALVE (RISING STEM)

ISO 9001 CERTIFIED COMPANY

### SCI CAST IRON CLASS 21 GATE VALVE (RISING STEM)

#### FEATURES

- AS 3579
- Class 21

#### OPTIONS

- Shop Coat Red Oxide
- Blue Epoxy Paint
- Fusion Bonded Epoxy

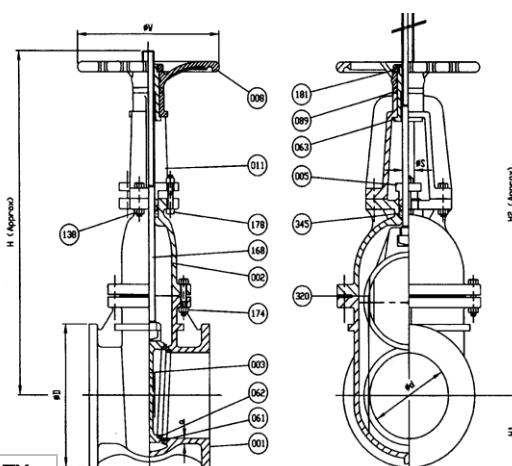
#### TECHNICAL DATA

- Code: VG3579-OSY-F(size DN)
- Size Range: DN50 – DN300
- Test Pressures: Hydro Shell – 31.5 bar  
Hydro Valve Seat – 21 bar



#### DIMENSIONS

SIZE OD	L	Flanged AS 21 29 Table F					d	S	H D	W C
		D	C	h	n	T				
50	178	165	127	18	4	19	50	178	165	127
65	190	185	146	18	8	19	65	190	185	146
80	203	205	165	18	8	19	80	203	205	165
100	229	230	191	18	8	22	100	229	230	191
125	254	235	235	18	8	22	125	254	235	235
150	267	305	260	22	12	22	150	267	305	260
200	292	370	324	22	12	25	200	292	370	324
250	330	430	381	22	12	25	250	330	430	381
300	356	490	438	26	12	29	300	356	490	438



#### MATERIALS

NO.	PARTS	MATERIAL	SPECIFICATION	QTY
001	Body	Ductile Iron	AS1831 Grade 500-7	1
002	Bonnet	Ductile Iron	AS1831 Grade 500-7	1
011	Yoke	Ductile Iron	AS1831 Grade 500-7	1
062	Disc Seat Ring	Gunmetal	AS1565 Alloy C83600	2
061	Body Seat Ring	Gunmetal	AS1565 Alloy C83600	2
003	Disc	Ductile Iron	AS1830 Grade T220	1
063	Yoke Sleeve	Gunmetal	AS565 Alloy C83600	1
168	Stem	Arsenic Brass	AS568 Alloy 486	1
089	Hand Wheel Washer	Brass	AS1567	1
320	Bonnet Gasket	Reinforce Rubber	BS5292	1
174	Bonnet Bolt & Nut	Galvanised Steel	AS1111	1 set
345	Packing	PTFE Braided		1
178	Gland Bolt & Nut	Galvanised Steel	AS1111	2
005	Gland	Cast Iron	AS1830 Grade T220	1
008	Hand Wheel	Cast Iron	AS1830 Grade T220	1
181	Hand Wheel Nut	Galvanised Steel	AS1111	1
138	Yoke Bolt & Nut	Galvanised Steel	AS1111	1 set

SYDNEY- NEWCASTLE – PERTH – 1300 362 954 – sales@repipe.com.au

*Distributors of Quality Products Australia Wide*