

REPIPE

Pipe, Connections & Valves

Connecting Australia

GENERAL PURPOSE
SWING CHECK VALVES

ISO 9001 CERTIFIED COMPANY

SWING CHECK VALVES – GENERAL PURPOSE – CAST IRON

FEATURES

- Cast Iron - General Purpose
- Flanged AS2129
- Bronze Trim
- Stainless Steel Hinge Pin
- Designed and Manufactured to BS5153



TECHNICAL DATA

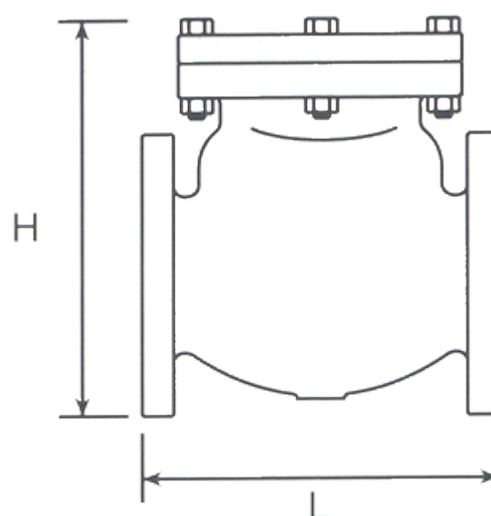
- Code: F-CVF-(size DN)E
- Size Range: DN50 – DN300
- Max. Working Pressure: 1400 kPa

DIMENSIONS

Size (DN)	50	65	80	100	125	150	200	250	300
L	203	216	241	292	330	356	495	622	698
H	212	230	250	292	339	367	431	507	564
Weight (kg)	9	12	15	26	41	55	98	160	242

MATERIALS

Part Name	Material
Body/ Bonnet	Cast Iron
Disc	Cast Iron
Seat Ring	Bronze
Hinge Ring	Stainless Steel 410



SYDNEY- NEWCASTLE – PERTH – DARWIN – 1300 362 954 – sales@repipe.com.au

Distributors of Quality Products Australia Wide

The data provided here is for information purposes only. Repipe reserves the right to change or modify this data without prior notice.

Y:\CATALOGUE & DATA SHEETS - MASTER\Datasheet Masters\VALVES\CHECK VALVES\General Purpose Swing Check Valve.docx