

REPIPE

Pipe, Connections & Valves

Connecting Australia

MONITORED BUTTERFLY VALVE - GROOVED

ISO 9001 CERTIFIED COMPANY

FLOWCOM MONITORED BUTTERFLY VALVE – GROOVED

FOR INDOOR AND OUTDOOR INSTALLATIONS

FEATURES

- Approved Gear Operator For Both Indoor and Outdoor Use
- NSF Certified Polymide Coated Ductile Iron Body
- Elastomer Encapsulated Disc With Outstanding Flow Characteristics
- Extended Neck
- Low Torque Operation
- Complete With Double Internal Supervisory Switches
- UL Listed
- **FM Approved**

OPTIONS

- Amtron Class A Supervisory Switches Can Be Fitted.

TECHNICAL DATA

- Code: VGBFHP01-(size OD)-GEAR
- Size Range: DN65 – DN250
- Working Pressure: 300 psi (2100 kPa)
- Max. Working Temp: 120°C

DIMENSIONS

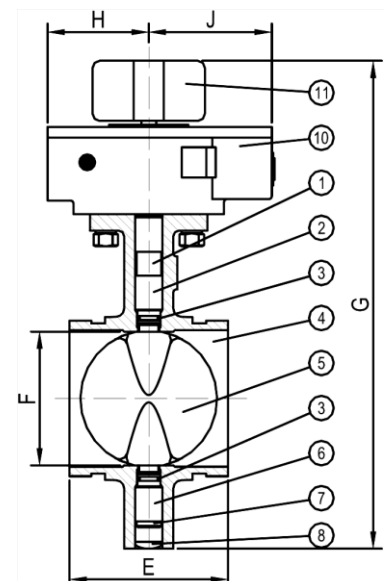
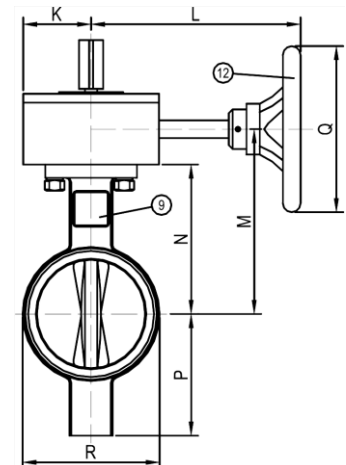
Size DN	E F to F	L (mm)	M (mm)	N (mm)	P (mm)	Q (mm)	R (mm)	Wt (kg)
65	98	195	134	96	75	150	85	8.0
80	98	195	143	105	90	150	97	8.6
100	116	195	173	135	110	150	124	10.6
150	149	195	203	165	145	150	183	16.1
200	134	204	242	204	175	250	236	22.9
250	160	241	290	245	210	300	289	40.2

COMPONENTS

1	Upper Stem	Stainless Steel ASTM A276 Type 420
2	Upper Bearing	PTFE Bronze Sintered on Steel
3	O-Ring	Nitrile
4	Body	Ductile Iron ASTM A536, Polymide Coated
5	Disc	Ductile Iron ASTM A536, EPDM Encapsulation
6	Lower Bearing	PTFE Bronze Sintered on Steel
7	Lower Stem	Stainless Steel ASTM A276, Type 420
8	Dust Plug	PVC
9	Name Plate	Stainless Steel
10	Gear Operator	Cast Iron and Steel
11	Indicator Flag	Cast Iron
12	Handwheel	Cast Iron



FLOWCOM MECH
MODEL # VBG01



SYDNEY- NEWCASTLE – PERTH – 1300 362 954 – sales@repipe.com.au

Distributors of Quality Products Australia Wide