

### PRV STATIONS

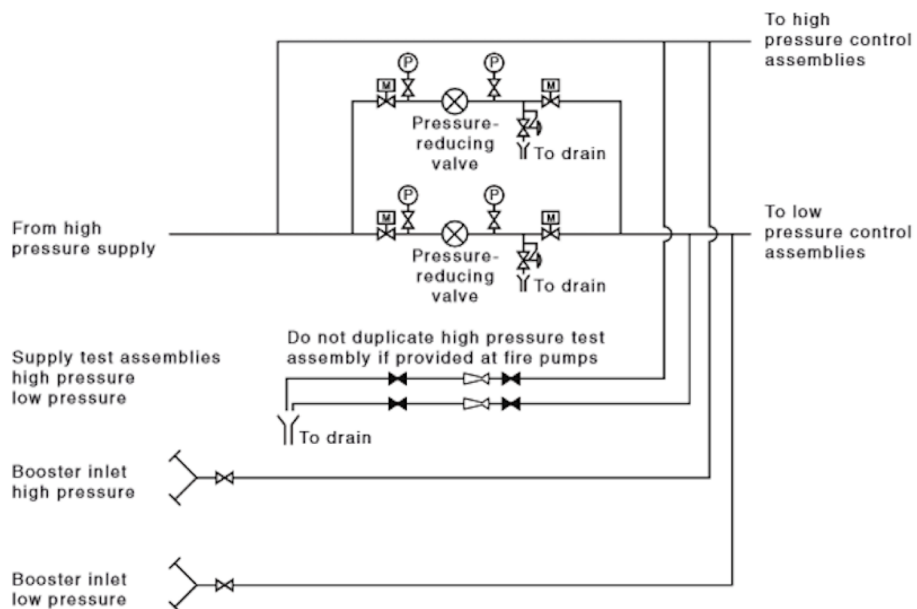
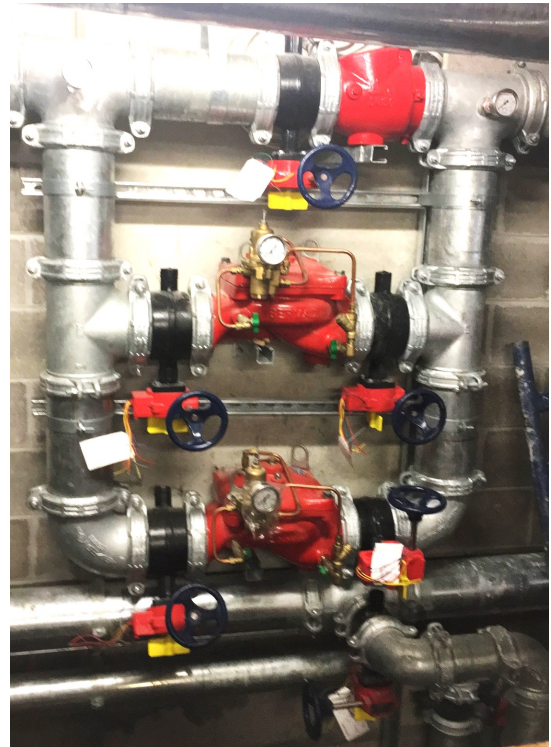
#### FEATURES

- Assembled to Your Requirements

#### TECHNICAL DATA

- Code: FFS-PRVS(size)
- Size Range: DN80 – DN200

#### DIMENSIONS



SYDNEY- NEWCASTLE – PERTH – 1300 362 954 – sales@repipe.com.au

*Distributors of Quality Products Australia Wide*



The data provided here is for information purposes only. Repipe reserves the right to change or modify this data without prior notice.

/Volumes/Accounts/CATALOGUE & DATA SHEETS - MASTER/Datasheet Masters/ASSEMBLIES/PRV Stations.docx